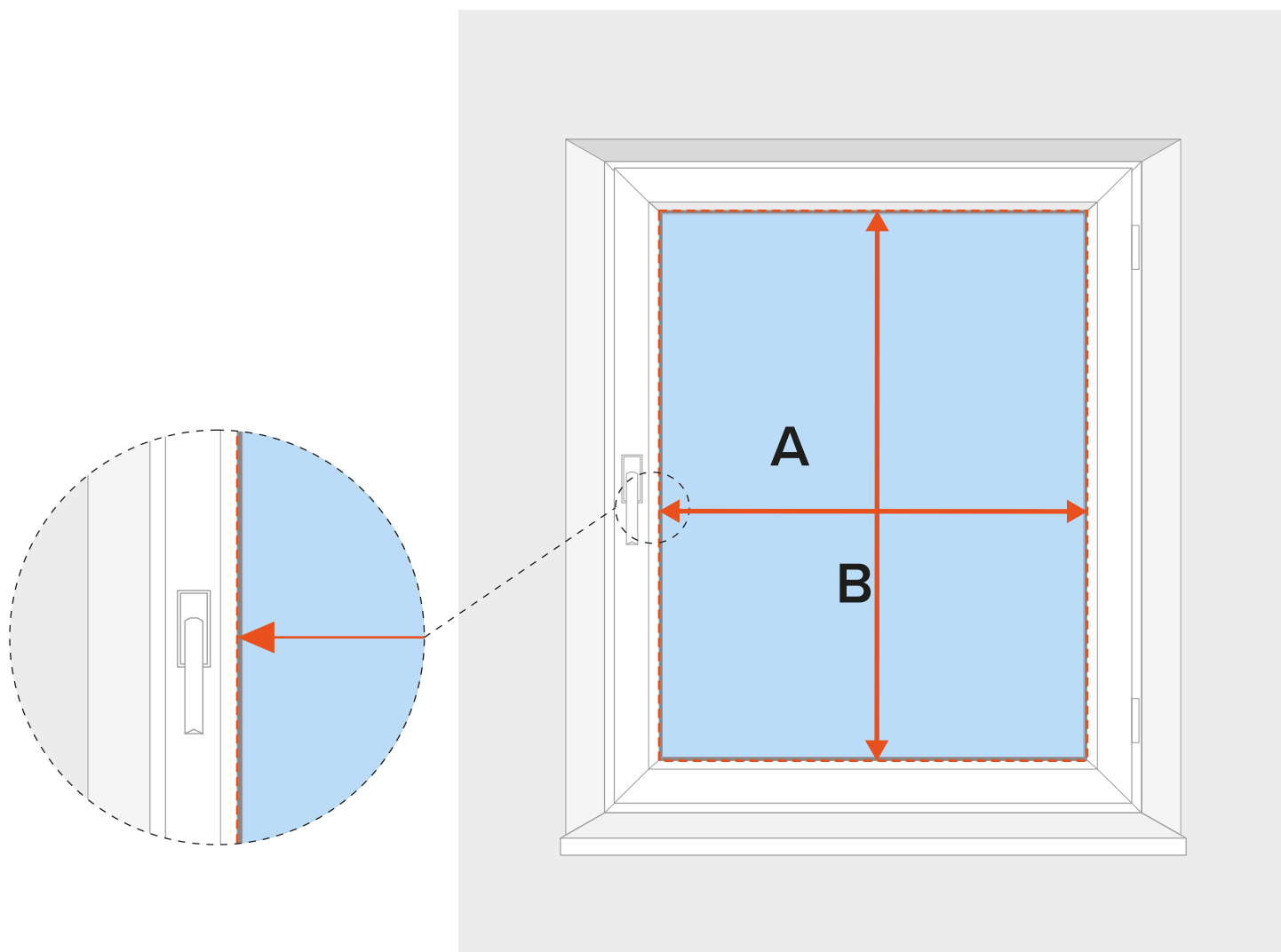


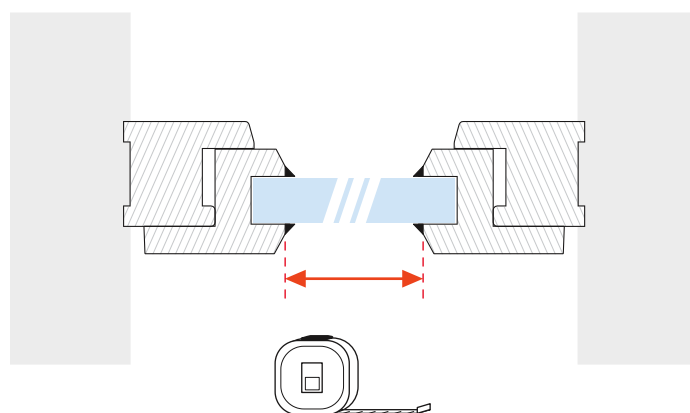
Measurement guide for mounting in the glazing bead



width = A

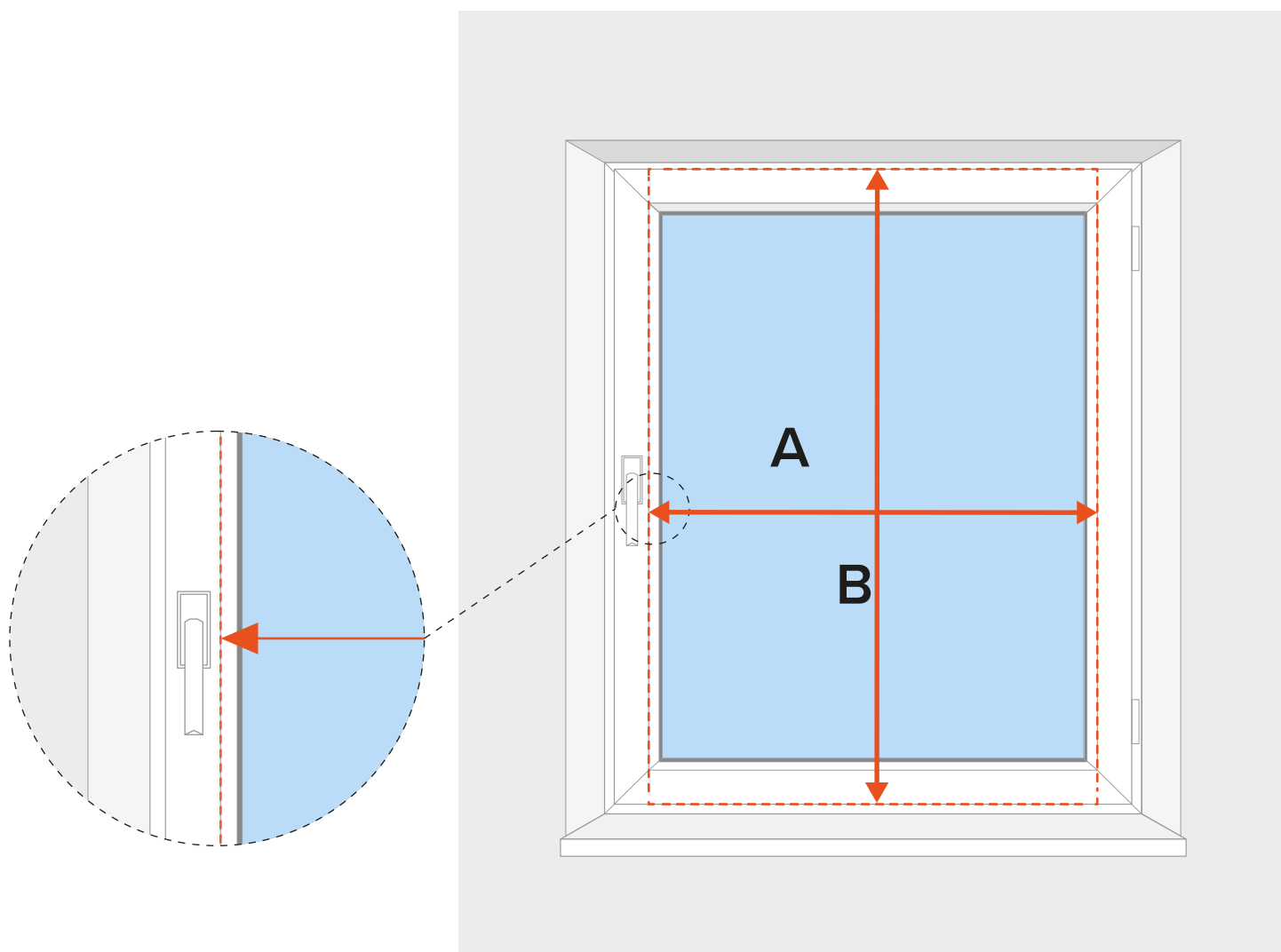
height = B

To get the most accurate size, measure the width and height of the window pane, along with the thickness of the rubber seal.



! All dimensions must be entered in millimeters (mm)
Ensure that the depth of the glazing bead space is at least 24 mm.

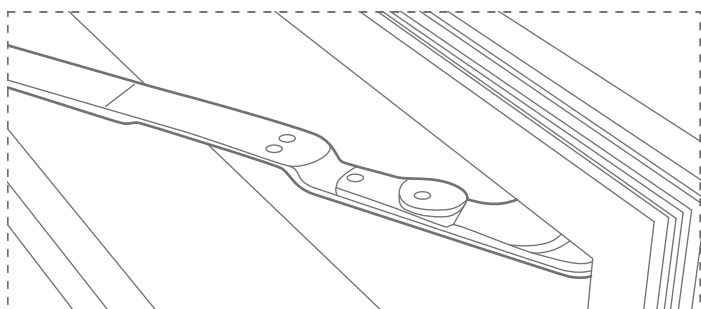
Measurements for mounting plated blinds on window sash (invasive/non-invasive)



width = A

height = B

While giving the dimensions, remember to consider the position of the handle.

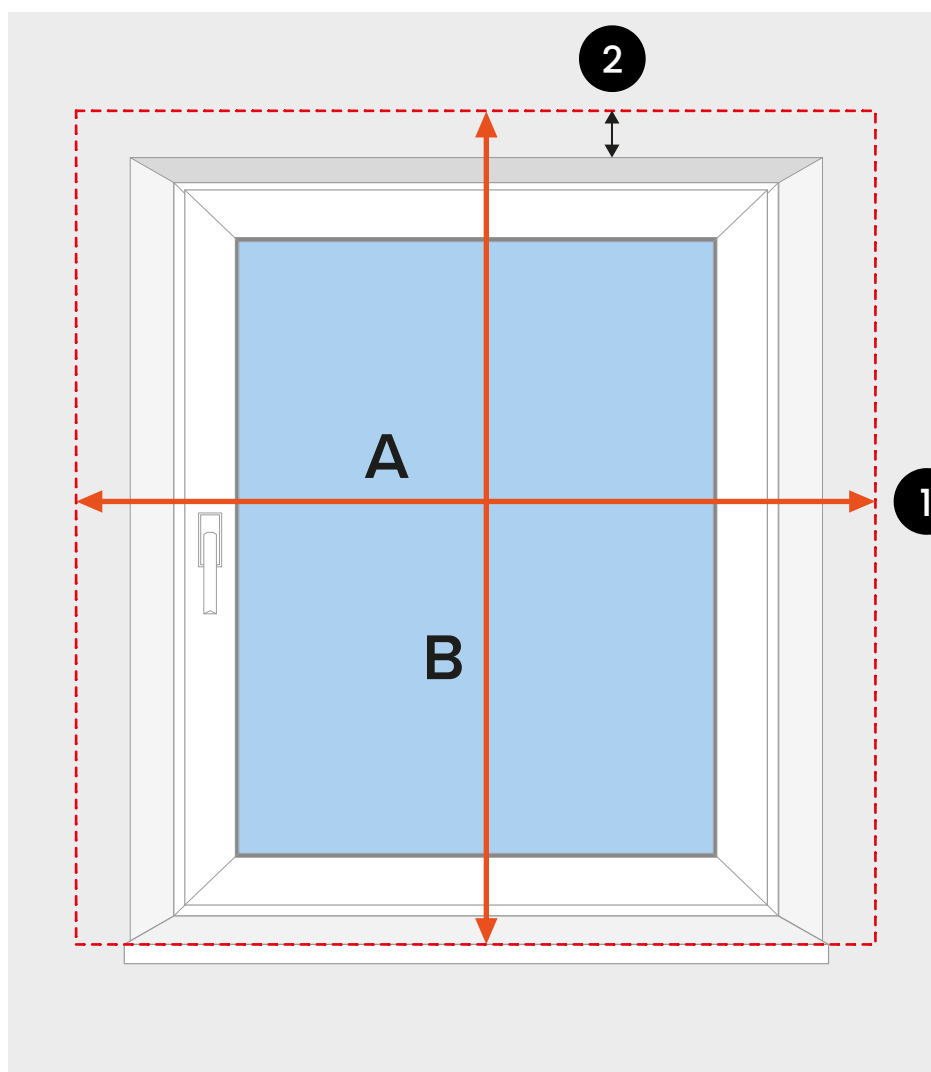


NOTE!

Be aware of the different types of window hinges. Some may not allow installation on the window sash.

 All dimensions must be entered in millimeters (mm)

Measurements for mounting plated blinds on wall.

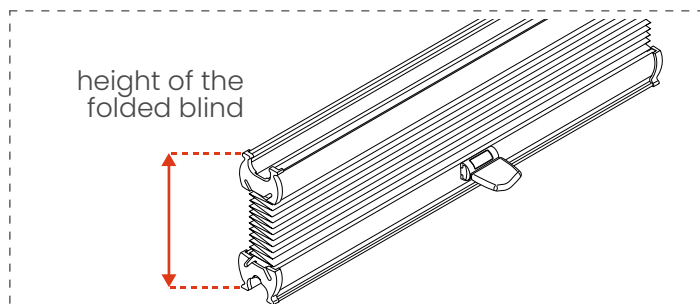


width = A

height = B

1 It's recommend to add 50 mm on each side to the specified width.

2 Remember to include the height of the folded blind in your measurements.



height of the blind	height of the folded blind
up to 1000 mm	48 mm
up to 1200 mm	49,4 mm
up to 1500 mm	53,6 mm
up to 2000 mm	59,8 mm

 All dimensions must be entered in millimeters (mm)