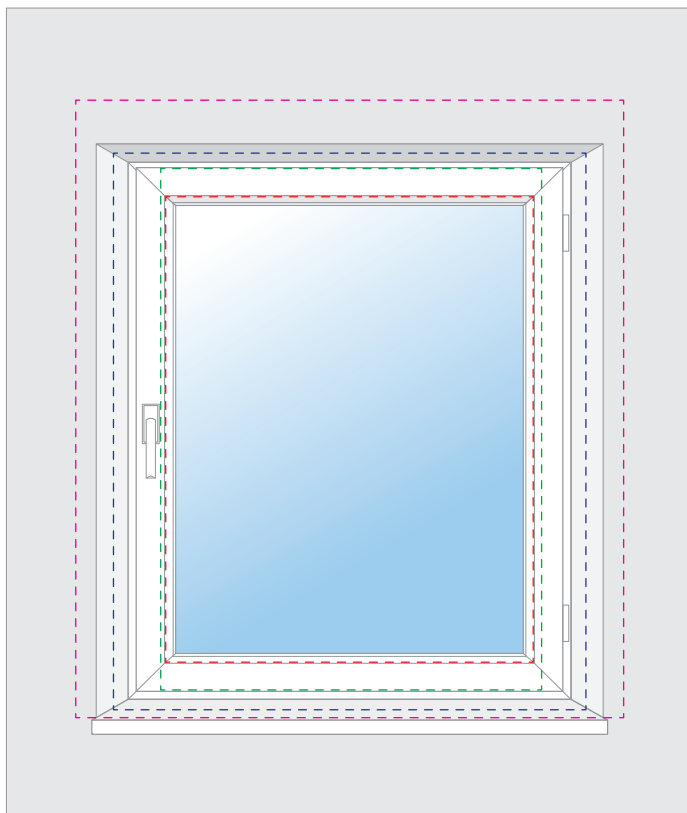
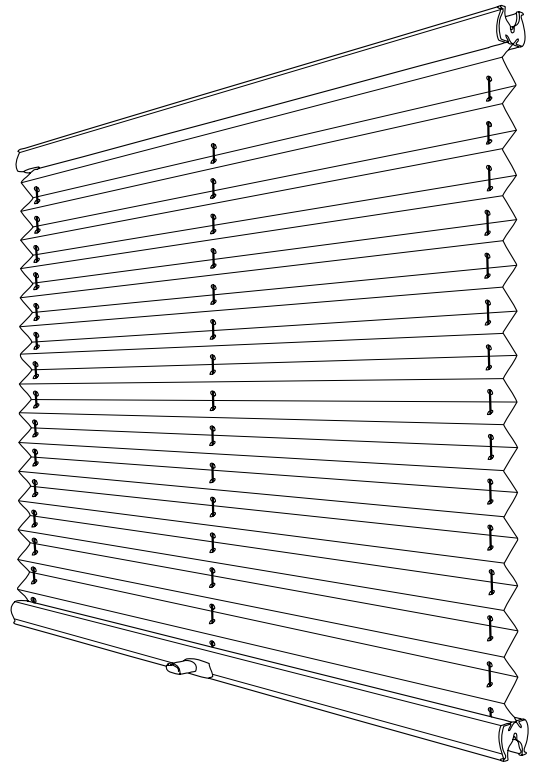




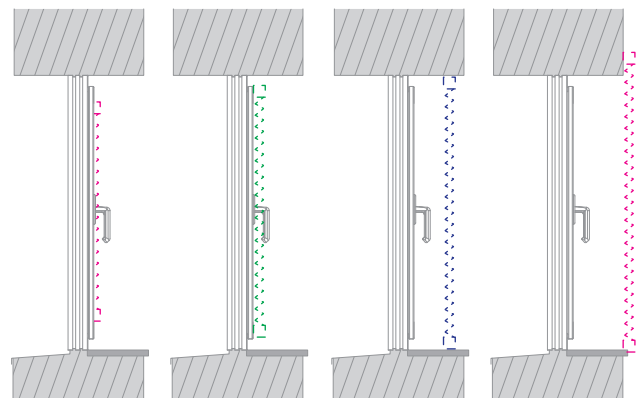


Measuring guide for pleated blinds



-  Wall mounting area
-  Mounting area in the window recess
-  Mounting area for window frames
-  Mounting area for glazing beads



Measurements for mounting to the glazing bead

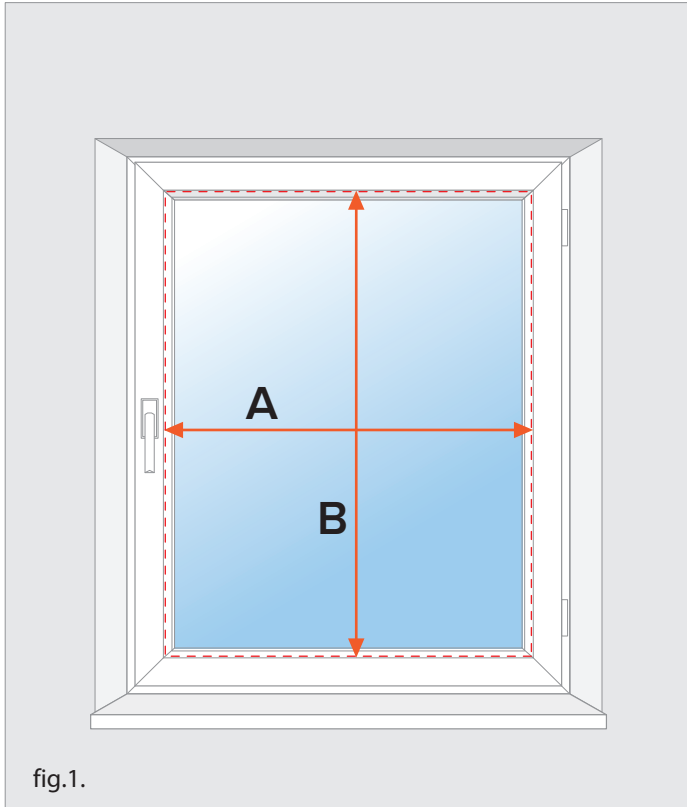
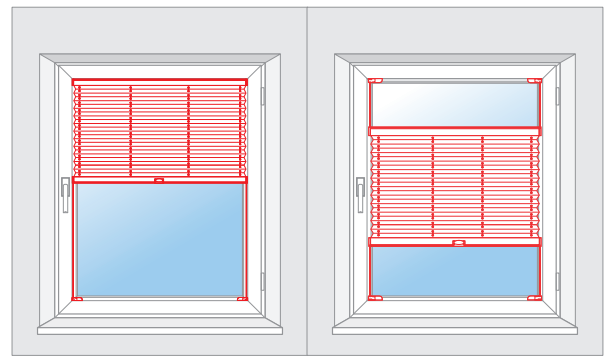


fig.1.



All dimensions must be entered in millimeters (mm)

Make sure that the depth of the space of the glazing bead is at least 15mm (fig.4).

Option 1 Sloping glazing beads (fig.2.)

When measuring height and width, check the distance between inner edges of beading (without the glazing gasket).

When entering the height in the configurator, enter the measurement value:

width = A

height = B

Option 2 Sloping glazing beads (fig.3.)

When entering the height in the configurator, enter the measurement value reduced about 5mm:

Podając pożądaną szerokość w konfiguratorze podaj wartość pomiaru pomniejszoną o 5mm:

width = A - 5mm

Example:
700 - 5 = 695mm

When entering the height in the configurator, enter the measurement value reduced about 5mm:

height = B

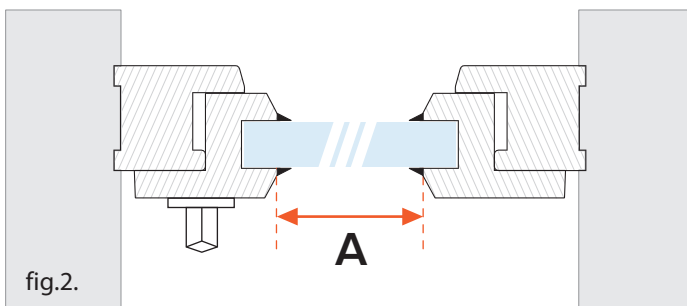


fig.2.

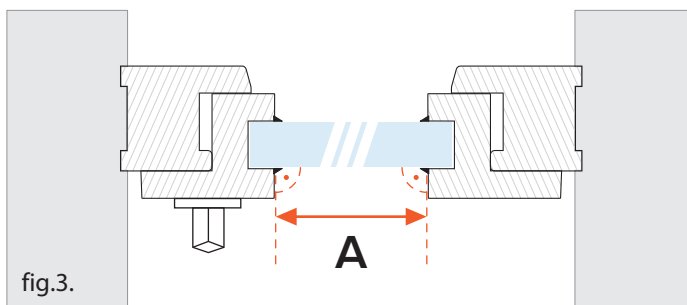


fig.3.

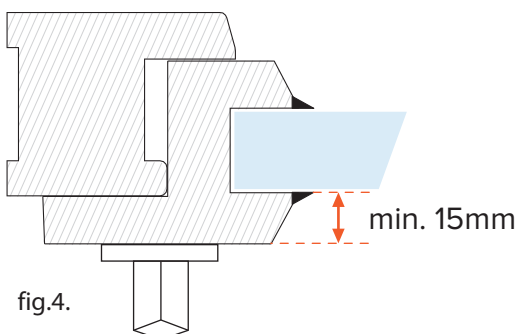
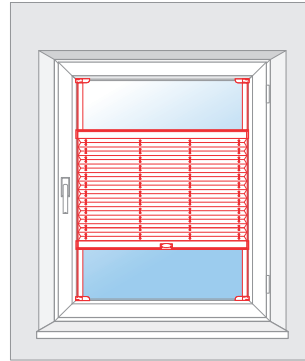
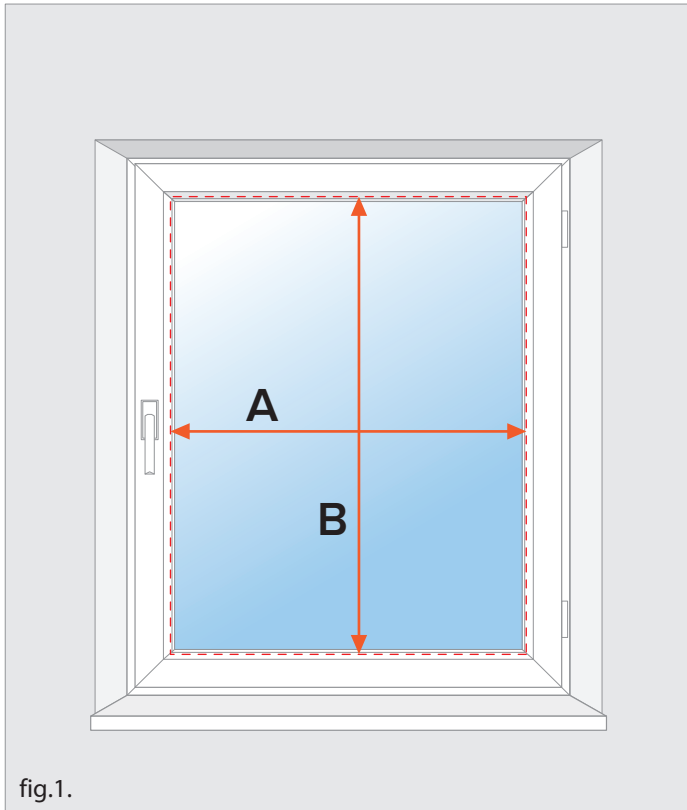


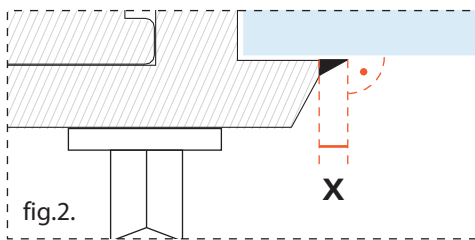
fig.4.

Measurement for mounting on the adhesive profile in the glazing bead



 All dimensions must be entered in millimeters (mm)

Measure the width of the glass gasket (Fig. 2).



Option 1: $X < 5\text{mm}$

Measure the width and height between the inside edges of the glazing bead (with the gasket) (fig.3.).

When entering the height in the configurator, enter the measurement value reduced accordingly:

$$\text{width} = A - 8\text{mm}$$

$$\text{height} = B - 4\text{mm}$$

Example:

$$\text{width} = 700 - 8 = 692\text{mm}$$

$$\text{height} = 1400 - 4 = 1396\text{mm}$$

Option 2: $X > 5\text{mm}$

Measure the width and height between the inside edges of the glazing bead (fig.3.).

When entering the height in the configurator, enter the measurement value increased accordingly:

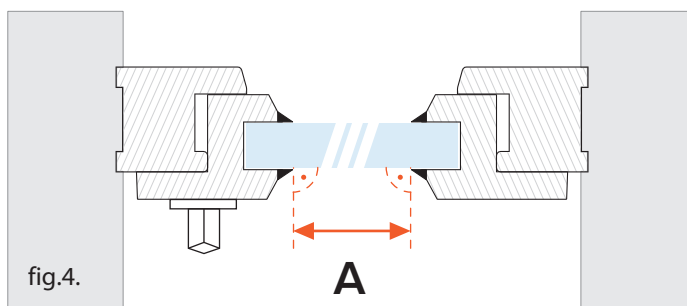
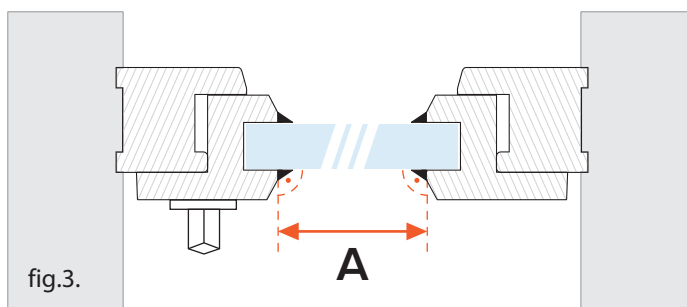
$$\text{width} = A + 7\text{mm}$$

$$\text{height} = B + 3\text{mm}$$

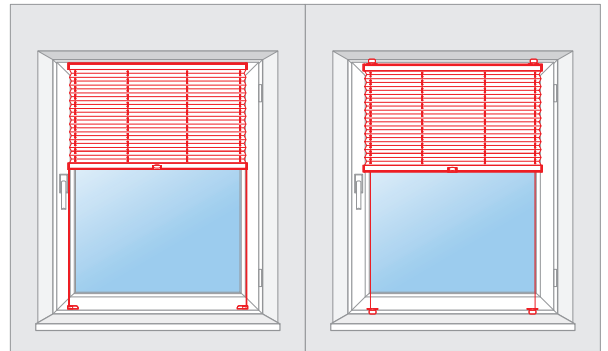
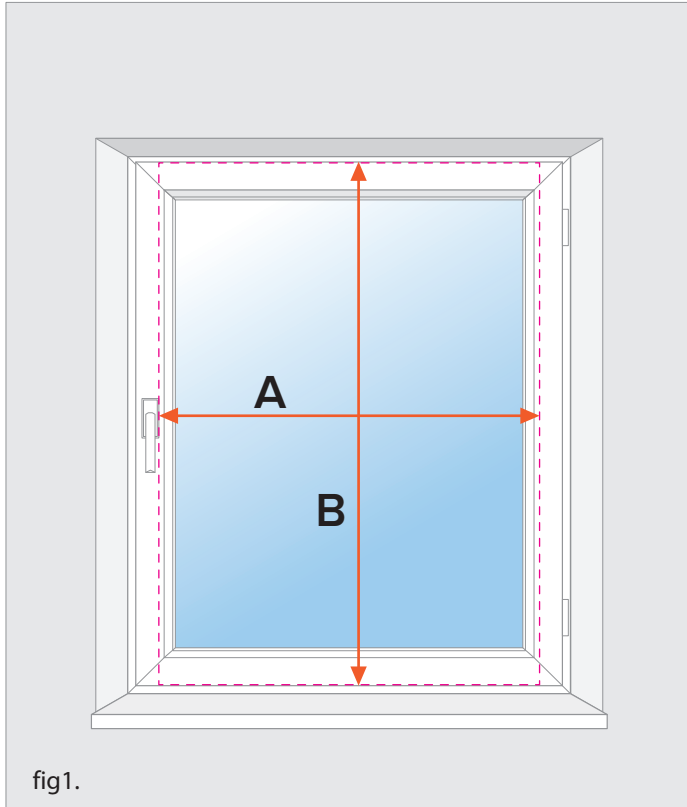
Example:

$$\text{width} = 700 + 7 = 707\text{mm}$$

$$\text{height} = 1400 + 3 = 1403\text{mm}$$



Measurement for mounting on the window sash



 All dimensions must be entered in millimeters (mm)

Measure the height that covers the entire glazing, including the glazing beads. Beware of protruding elements, e.g. handles. Measure the total width of the window sash.

When entering the height in the configurator, enter the measurement value:

width = A

height = B

