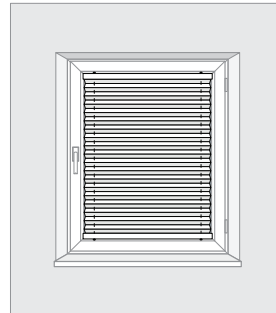


Picture.1.



Pleated blind measuring guide. When fixed to the beading.

⚠ Select dimension in millimeters (mm)

In order to take the most accurate measurement you need to measure the width and height of your window pane including rubber seal. Please select your width in configurator and subtract 5mm.

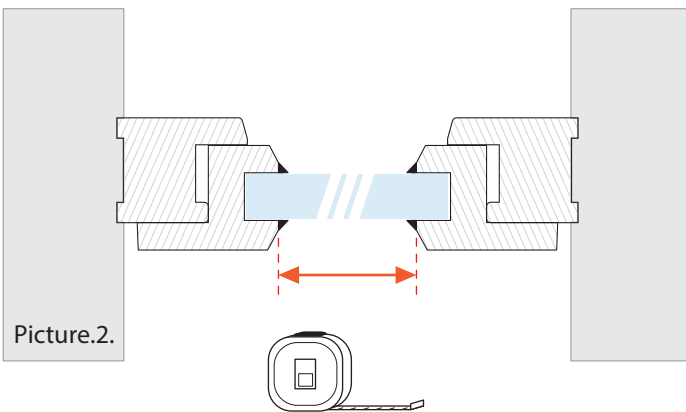
Width = A - 5mm

Example:
 700 - 5 = 695mm

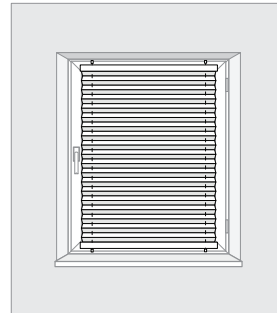
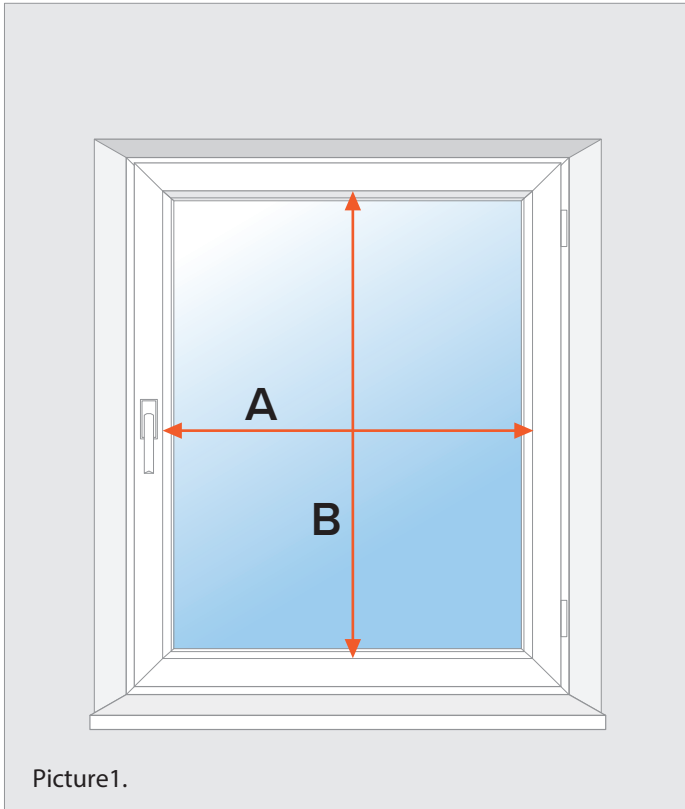
In configurator, select value the closest to your measurement from the pull-down list. Always choose value slightly bigger than your measurement.

Height = B

Example:
 If your measurement B is 930mm, select 1000mm from the pull-down list.



Picture.2.



Measuring when fixed to the window wing.

! All dimensions must be taken in millimeters.(mm)

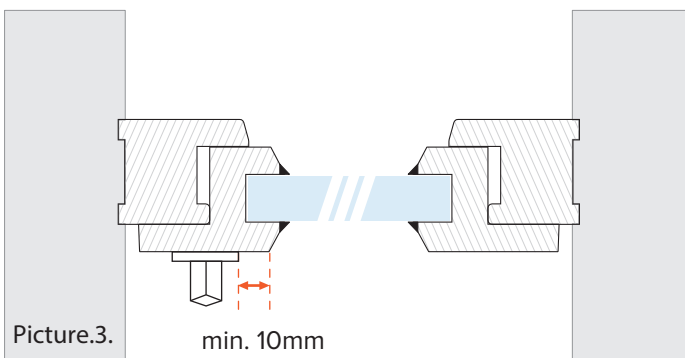
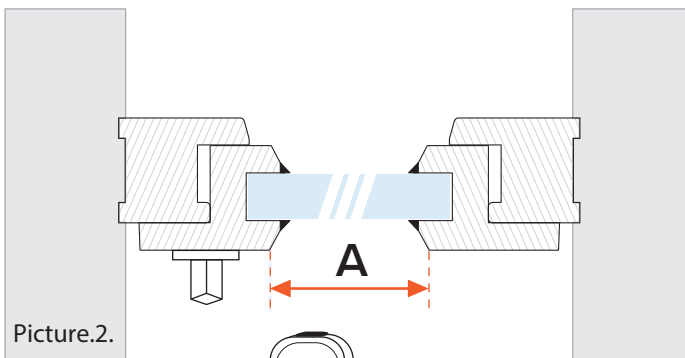
Measure up the distance between the edges of beading. (picture.2).

Remember to add 20mm to your measurement in configurator.

Width = A + 20mm

Example:
 700 + 20 = 720mm

Attention: Make sure that the distance between the edge of the beading and the window handle fitting is no less than 10mm (Picture.3.).



In configurator select the value from the pull-down list. This will be the nearest height to your measurement. Always select value slightly bigger than the one you have measured on the window.

Height = B

Example:
 If your measurement B is 930mm, select height 1000mm from the pull-down list.