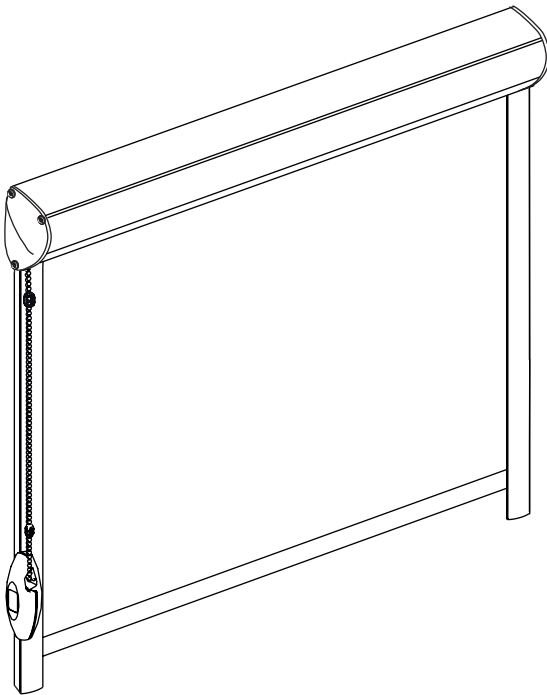


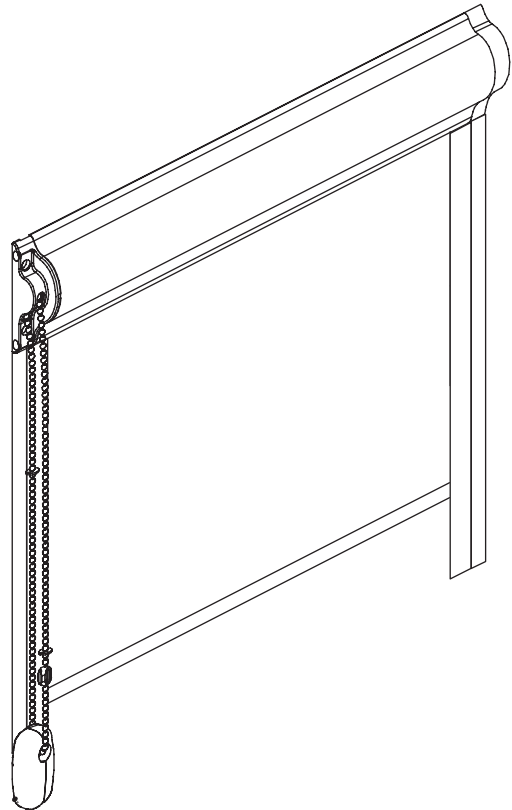
Mounting guide for PureNight cassette roller blinds

v1

PVC CASSETTE SYSTEM
WITH SIDE CHANNELS, NON-INVASIVE
MOUNTING ON WINDOW SASHES
(GLUED)

**v2**

ALUMINIUM CASSETTE SYSTEM
WITH SIDE CHANNELS, NON-INVASIVE
MOUNTING ON WINDOW SASHES
(SCREWED)

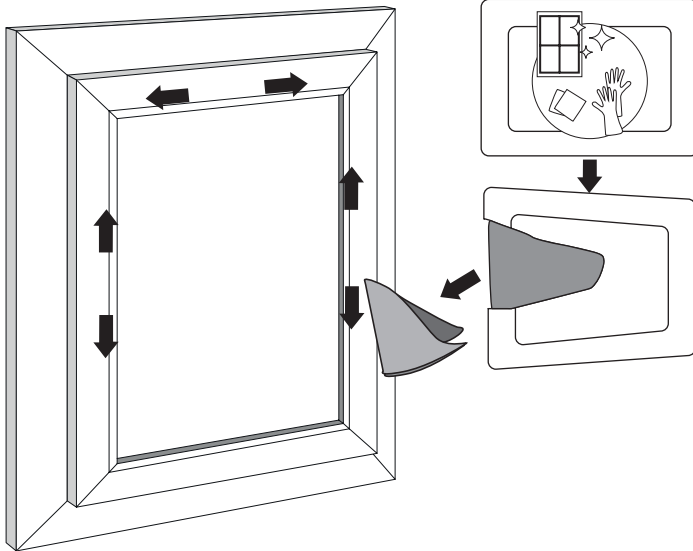
**WARNING:**

Young children can be strangled by loops in pull cords, chains, tapes and inner cords that operate the product. Cords may become wrapped around a child's neck. To avoid strangulation and entanglement, keep cords out of the reach of the children. Move beds, cots and furniture away from window covering cords. Don't tie cords together. Make sure cords don't twist and create a loop.

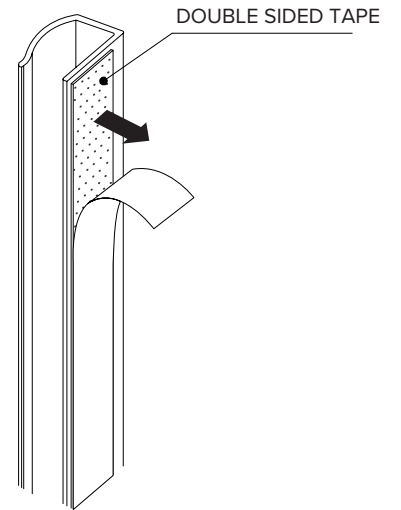


v1 MOUNTING FOR PVC CASSETTE

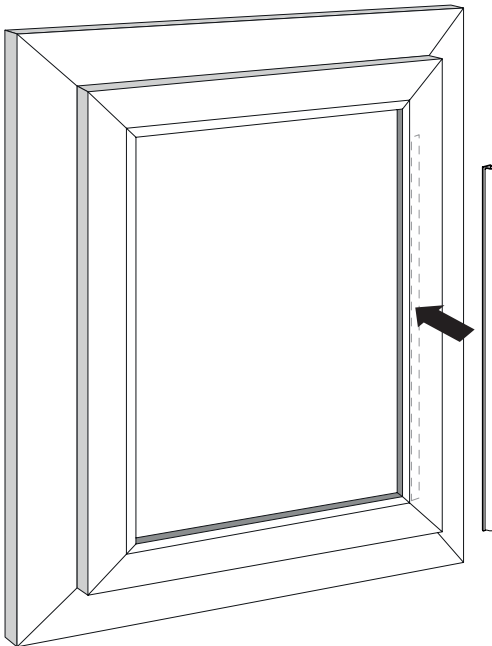
1



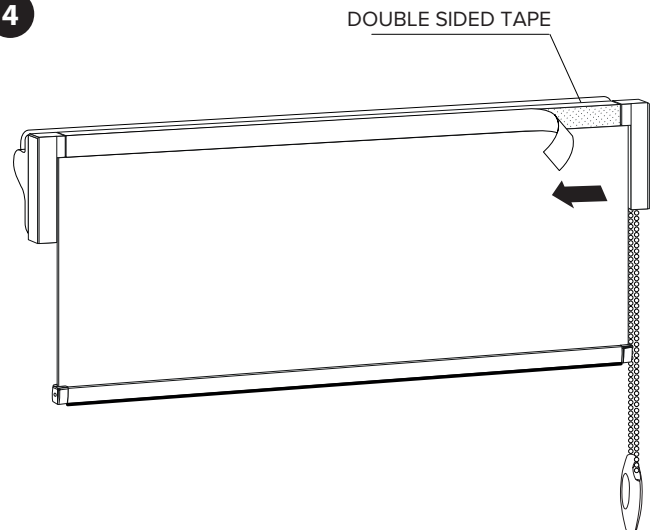
2



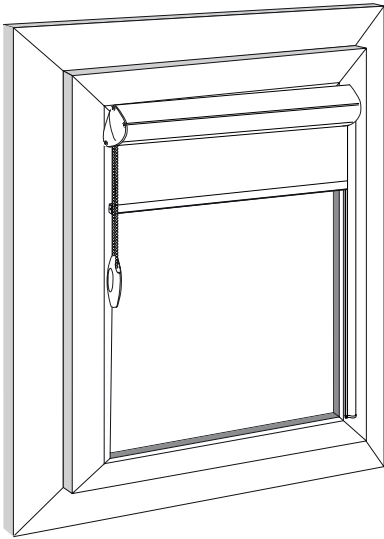
3



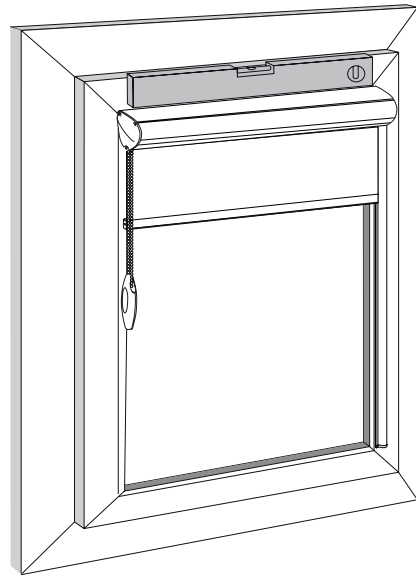
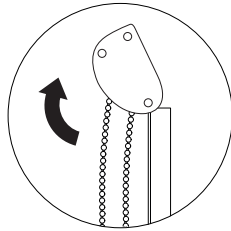
4



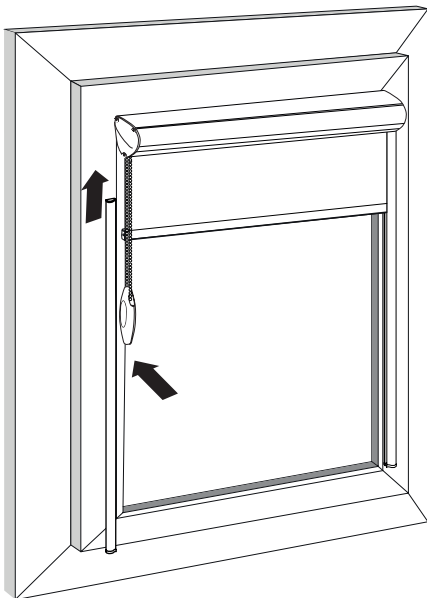
5



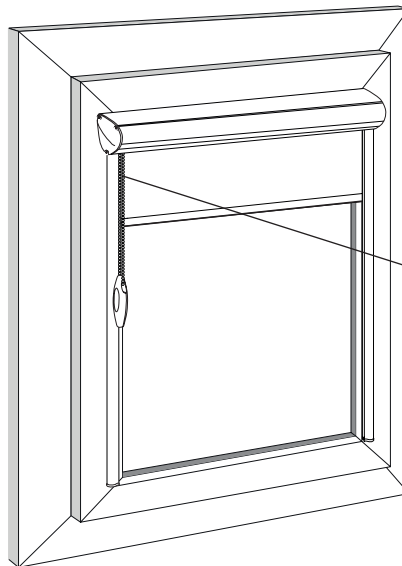
6



7

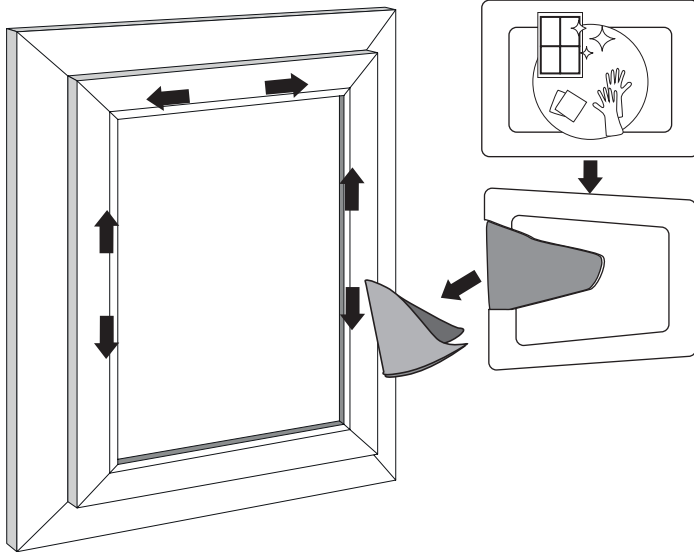


8

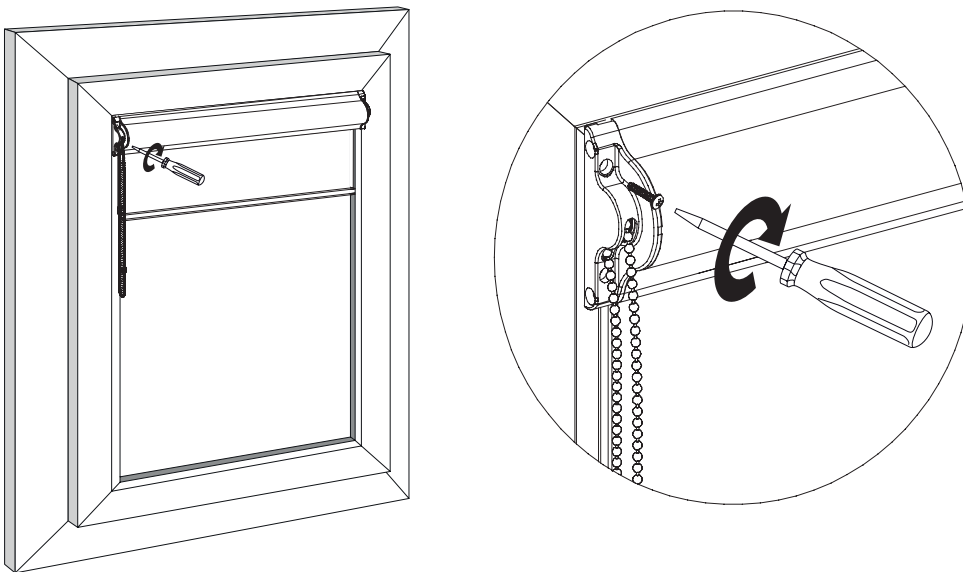


v2 MOUNTING FOR ALUMINIUM CASSETTE

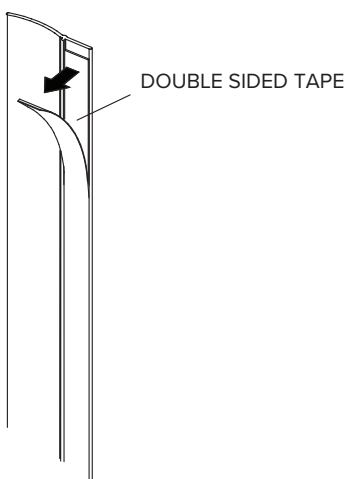
1



2



3



4

