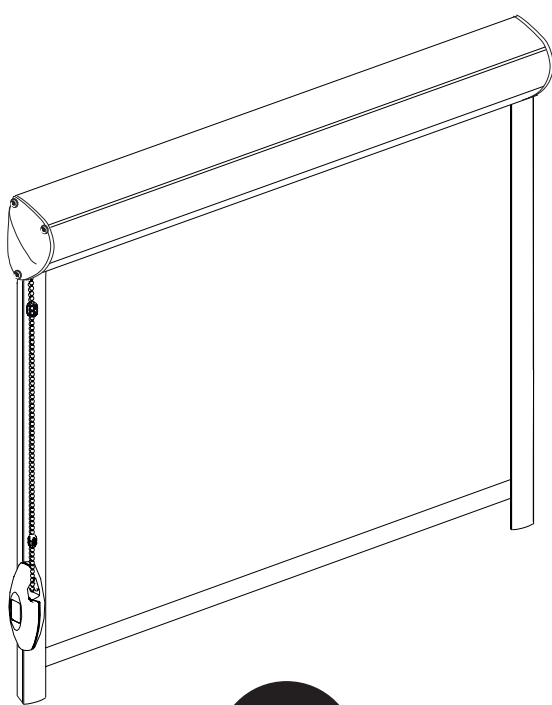
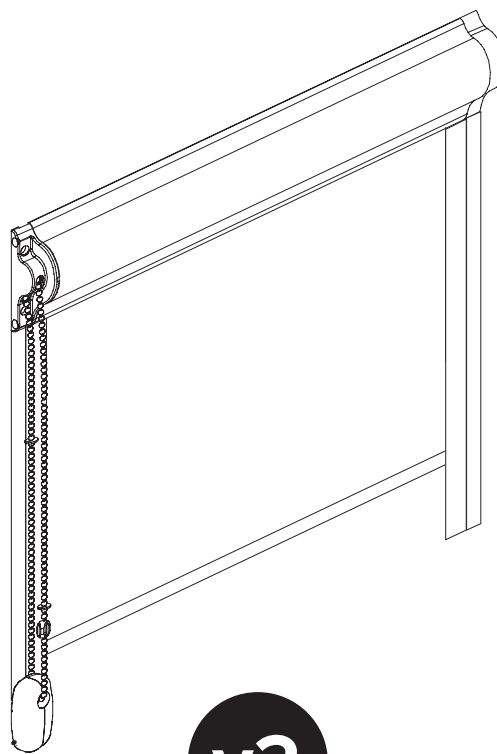


Measuring guide for PureNight cassette roller blinds

**v1**

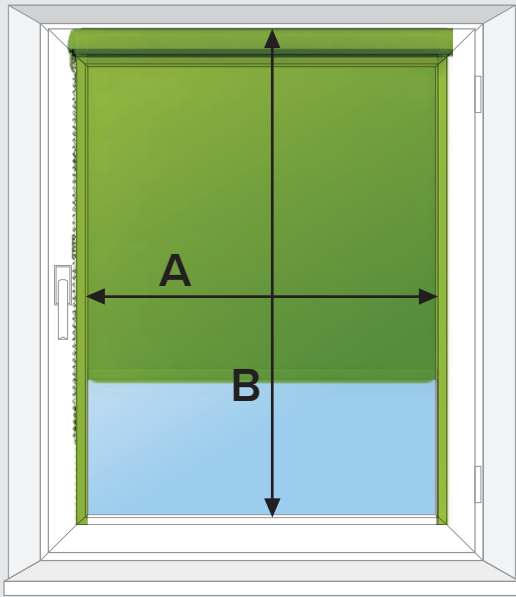
**PVC cassette system
with side channels, non-invasive
Mounting on window sashes
(glued)**

**v2**

**Aluminium cassette system
with side channels, non-invasive
Mounting on window sashes
(screwed)**

Fig.1.

v1



PVC cassette system with side channels, non-invasive Mounting on window sashes (glued)

! All dimensions must be entered in millimeters (mm)

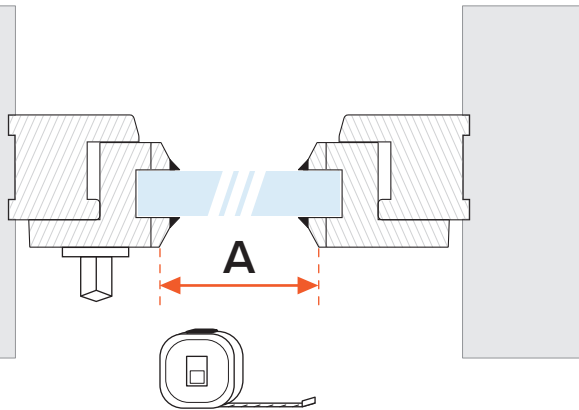
Measure the distances between the edges of the window beading (fig.2.).

Enter the measurement value:

width = A

Note: make sure that the distance between the edge of the glazing bead and the handle is at least **10mm** (fig.3.) in order to mount the side channels.

Fig.2.



Measure the distance between the top edge of the window sash and the bottom edge of glazing bead (fig.4.).

Enter the measurement value:

height = B

Fig.3.

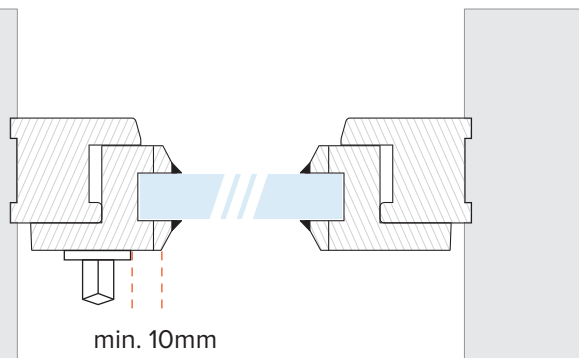
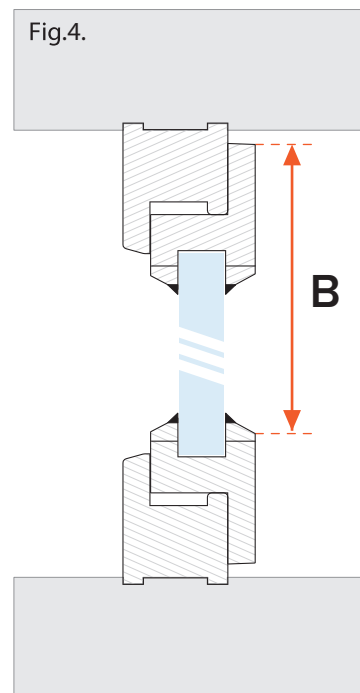
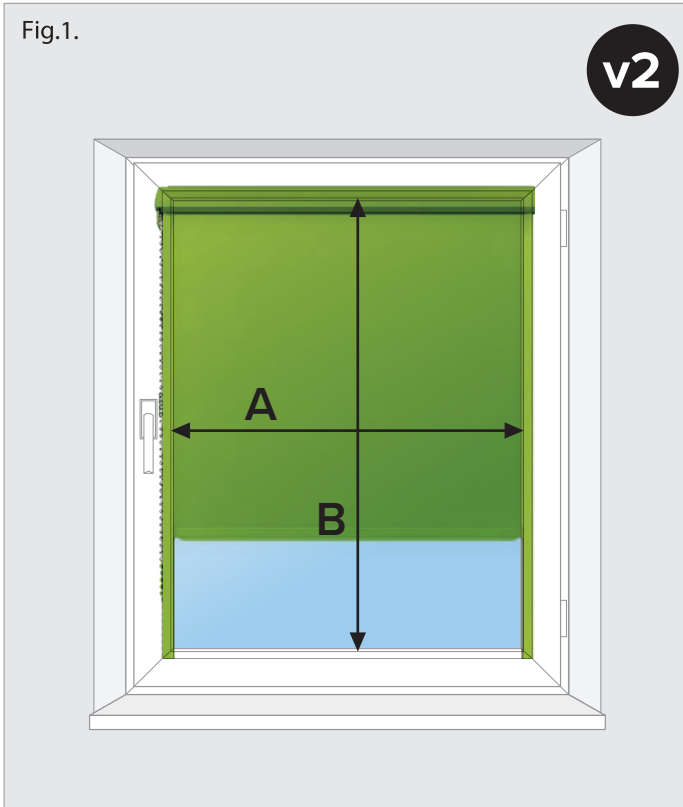


Fig.4.





Aluminium cassette system with side channels, non-invasive Mounting on window sashes (screwed)

! All dimensions must be entered in millimeters (mm)

Measure the distances between the edges of the **window beading** (fig.2.).

Enter the **measurement** value:

width = A

Note: make sure that the distance between the edge of the glazing bead and the handle is **at least 10mm** (fig.3.) in order to mount the side channels.

Measure the distance between the top edge of the window sash and the bottom edge of glazing bead (fig.4.).

Enter the **measurement** value:

height = B

