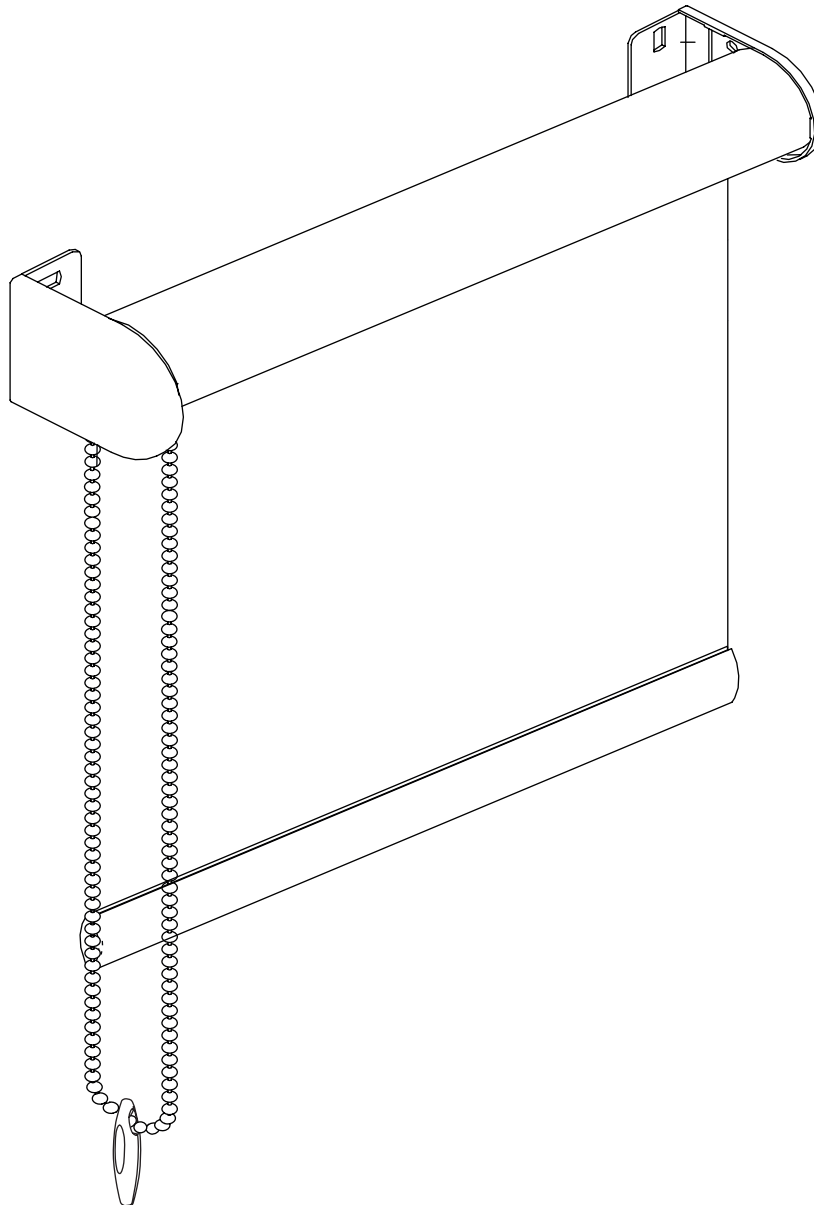


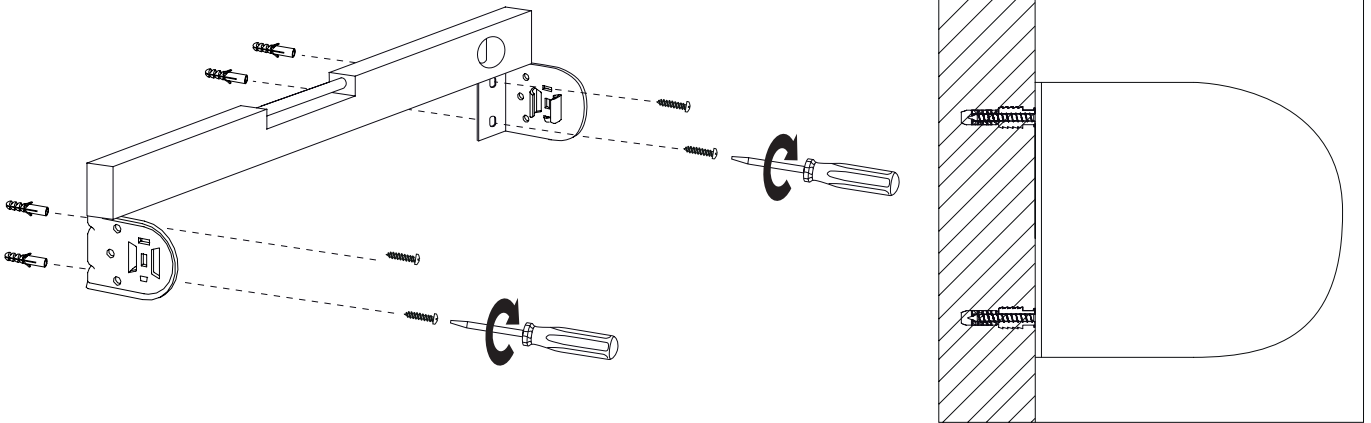
# Installation instruction for Fabric Standard system roller blinds



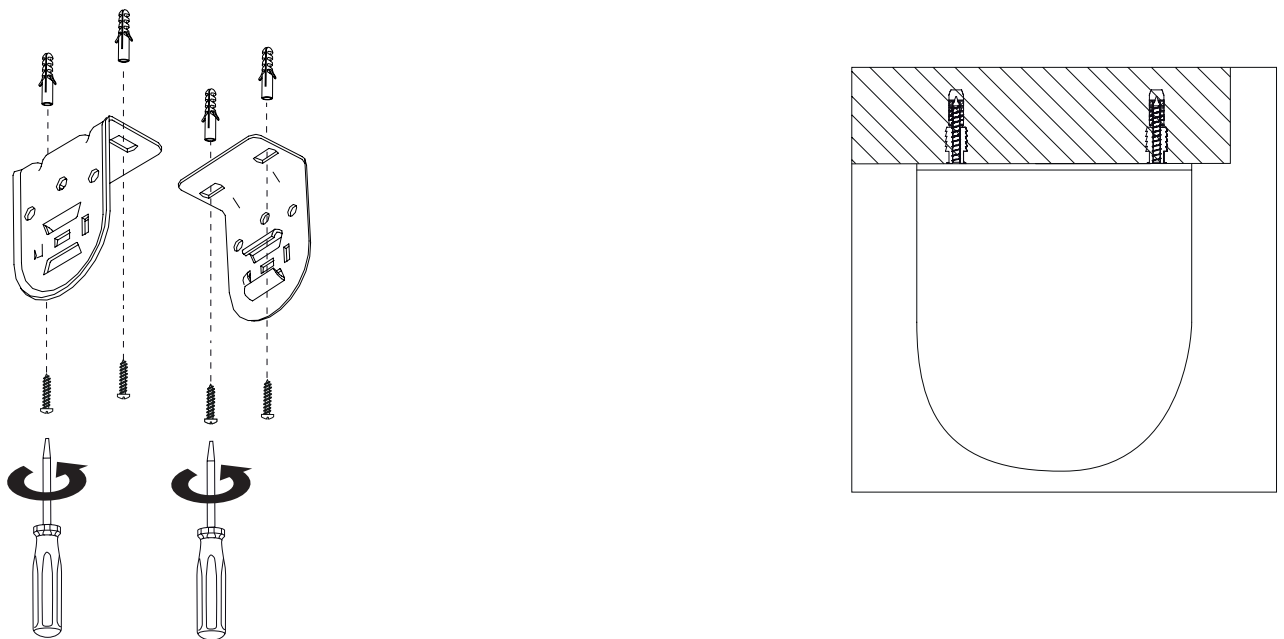
Young children can be strangled by loops in pull cords, chains, tapes and inner cords that operate the product. Cords may become wrapped around a child's neck. To avoid strangulation and entanglement, keep cords out of the reach of the children. Move beds, cots and furniture away from window covering cords. Don't tie cords together. Make sure cords don't twist and create a loop.



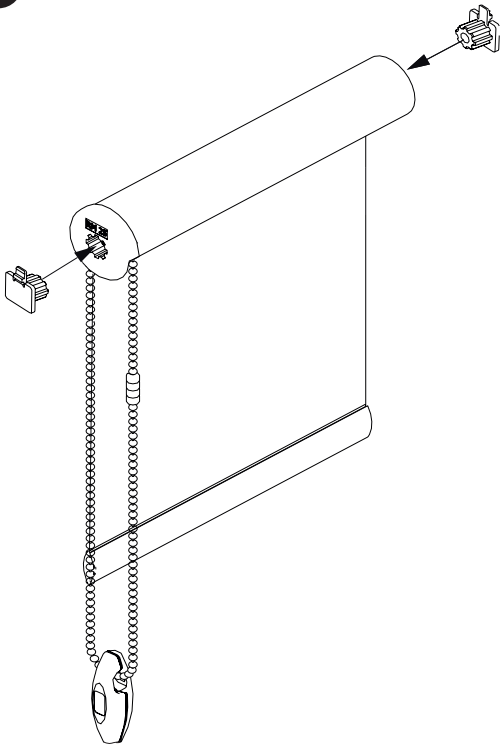
## Into-wall installation



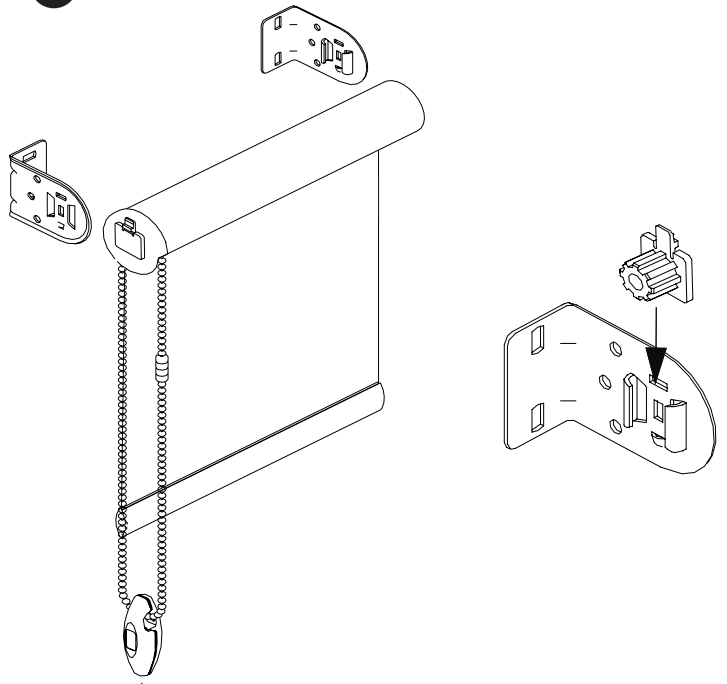
## Into-Ceiling installation



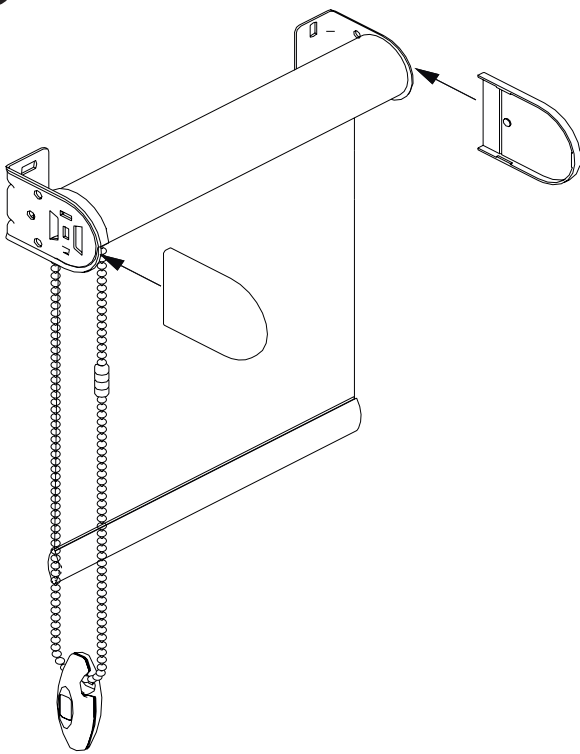
1



2



3



4

