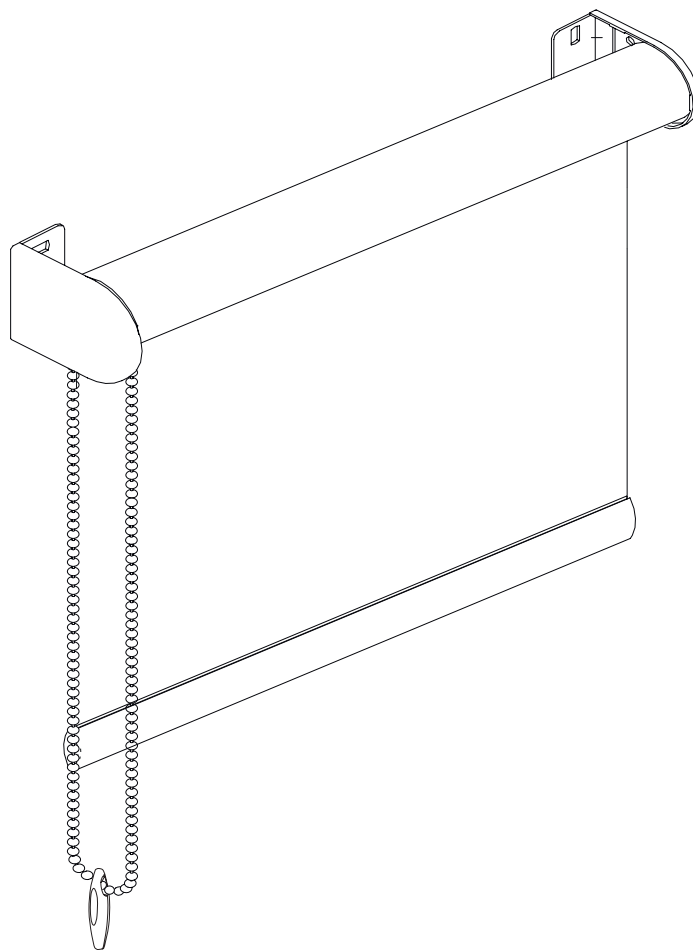
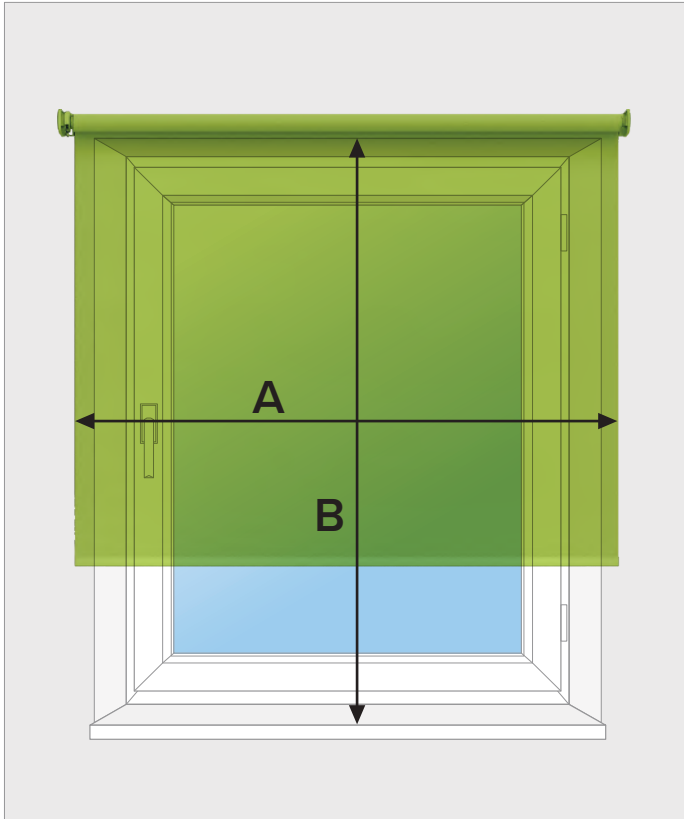


Measurement instructions for roller blinds



Installation to a wall, ceiling or window recess.



Standard System. Installation on the wall.

! All dimensions must be entered in millimeters (mm)

By entering the **width** in the configuration, set the **width of the roller blind fabric**. Remember to provide longer than the width of the window aperture, and **add 45 mm** (width of protruding e.g. headrail):

$$\text{Width} = A + 45\text{mm}$$

Example:

Product width = fabric width + headrail
= 800 + 45 = 845mm

Measure the height of the window recess **B**.

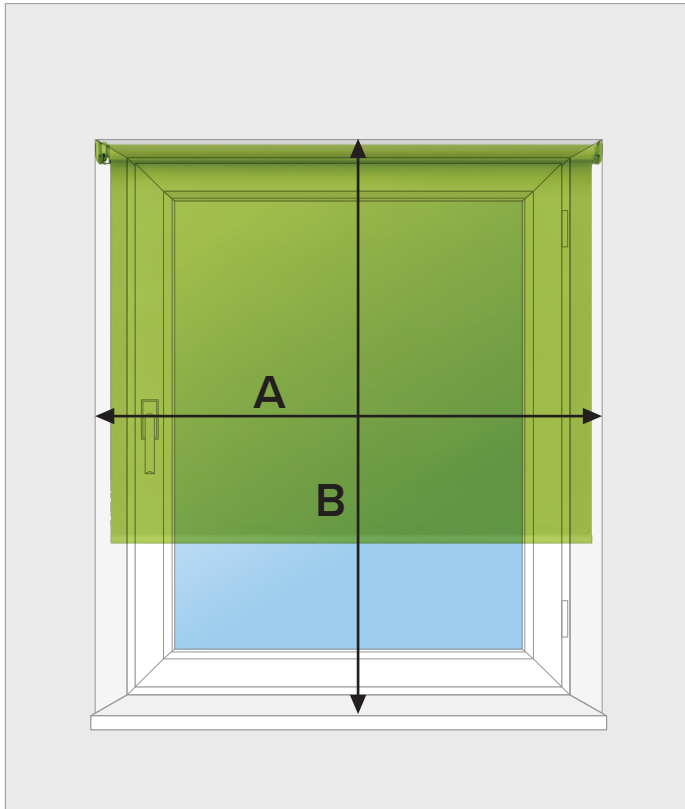
By entering the **height** in the configurator enter the measurement **value increased by at least 57mm** (rails size = 40mm height of fixed headrail and 17mm of bottom rail):

$$\text{Height} = B + 57\text{mm}$$

Example:

Product height = height of the recess + headrails
= 1400 + 57 = 1457mm

Please Note: You can specify a value bigger than suggested measurements if you want to cover larger areas.



System Standard with mounting in the window recess



All dimensions must be entered in millimeters (mm)

Measure the width and height of the window recess (*Fig.1*).

By entering the **width** in the configurator, type the measurement **value reduced by at least 2mm** (to be freely mounted):

$$\text{width} = A - 2\text{mm}$$

Example:

Product width = recess width - 2 = 700 - 2 = 698 mm

Please Note: The width of the roller blind fabric is narrower about approx. 45 mm from the width of the whole product (together with rails)

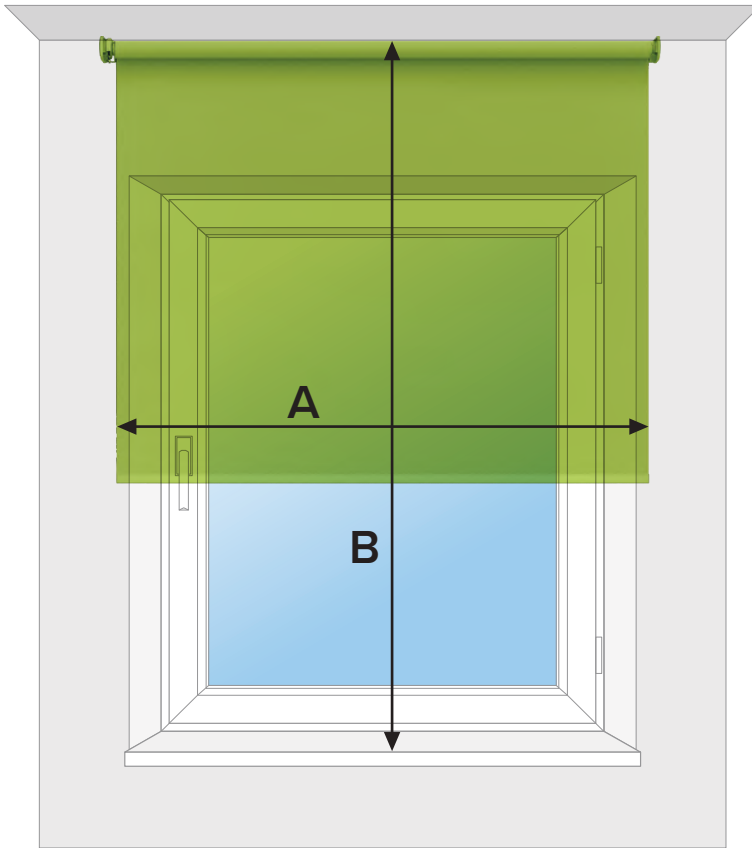
Measure the **height** of the window recess.

By entering the height in the configurator, type measurement value:

$$\text{height} = B$$

Example:

product height = height of the recess = 1400mm



Standard system with mounting into the ceiling.



All dimensions must be entered in millimeters (mm)

By entering the **width** in the configurator, set the **width of the roller blind fabric** (Remember to make it larger than the width of the window recess)and **add 45 mm** (width of protruding rails):

$$\text{width} = A + 45\text{mm}$$

Example:

$$\begin{aligned} \text{product width} &= \text{material width} + \text{rails} = \\ &= 800 + 45 = 845\text{mm} \end{aligned}$$

Measure the **height** from the ceiling to the base of the window recess.

By entering the height in the configurator, type measurement value:

$$\text{height} = B$$

Please Note: You can specify a value bigger than suggested measurements if you want to cover larger areas.