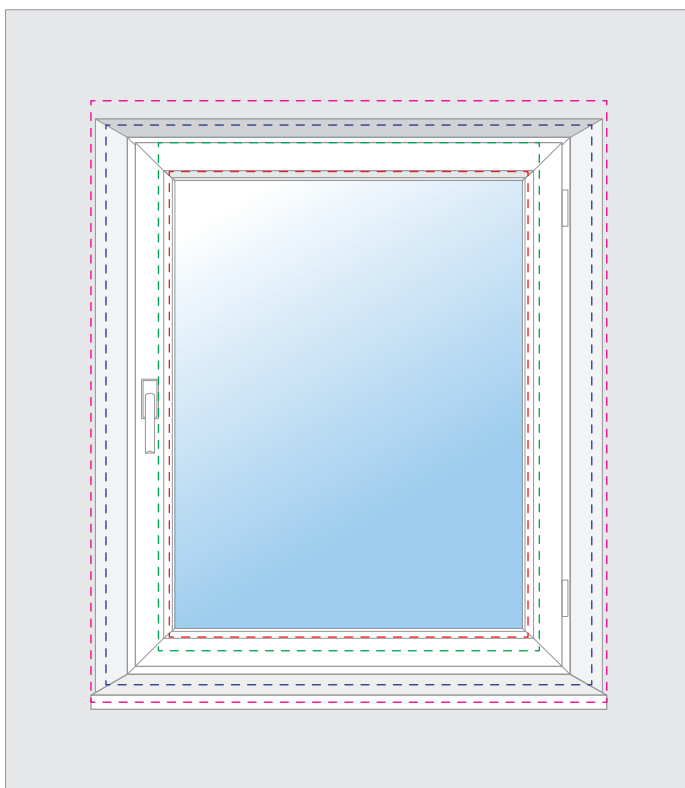
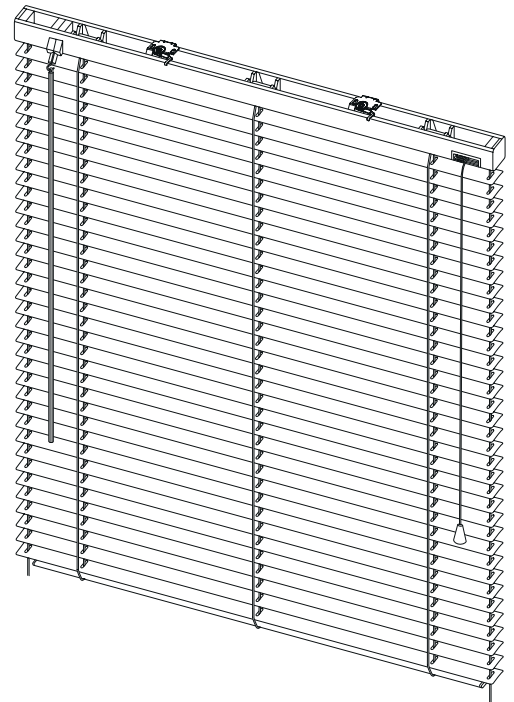




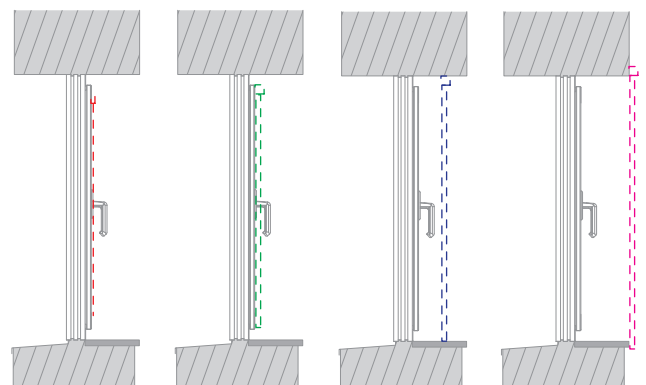



Measurement instruction for Venetian interior aluminum blinds 16mm



-  Installation area- wall
-  Installation area- recess
-  Installation area- window wing
-  Installation area- beading



Measuring-When attached to beading.

 All dimensions must be entered in millimeters (mm)

In order to take most accurate measurements. Measure the width and height of your window pane including rubber seal thickness (picture.2.). Select your measurement in configurator, and subtract 5mm

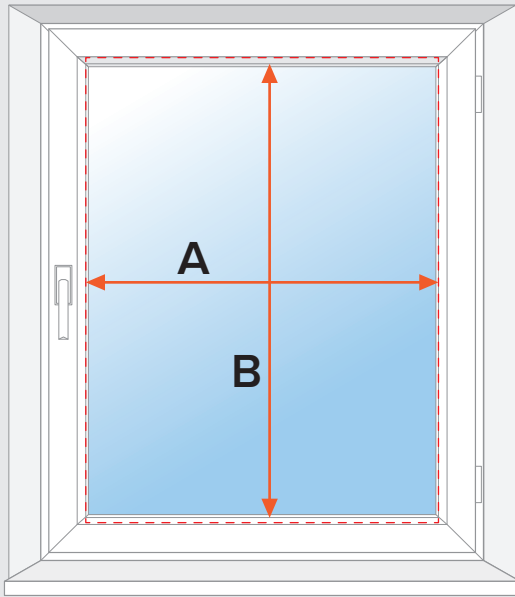
$$\text{Width} = A - 5\text{mm}$$

Example:
 $700 - 5 = 695\text{mm}$

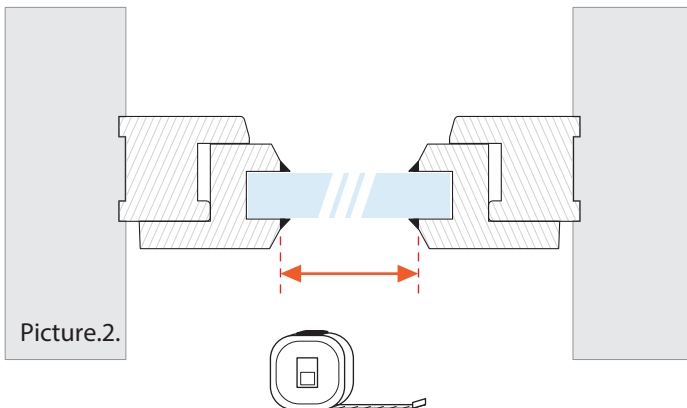
Select desired height in configurator and add 10mm to it.

$$\text{Height} = B + 10\text{mm}$$

Example:
 $1300 + 10 = 1310\text{mm}$



Picture.1.



Picture.2.

Measuring -When attached to window wing.

 All dimensions must be entered in millimeters

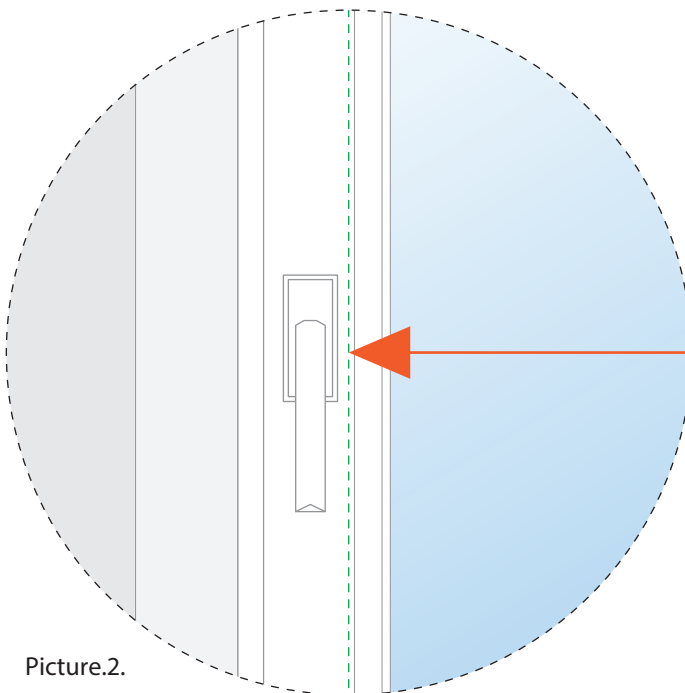
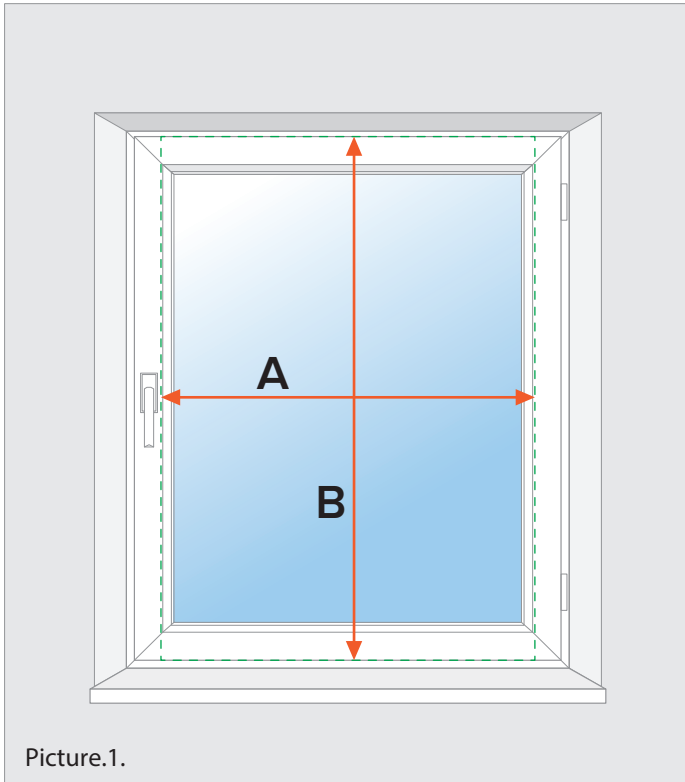
In order to take most accurate measurement, it is necessary to measure the window wing height and width, as well the full width of the window pane including the beading. Don't go over the beading while measuring. This will cause fabric to collide with the window handle. (Picture.2.)

Enter desired value in configurator:


Enter the value:

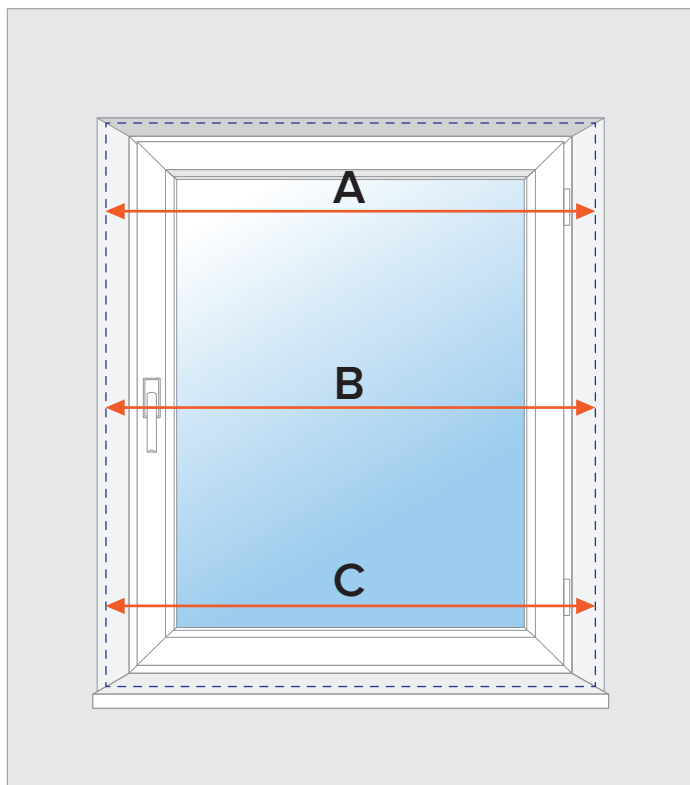
Width=A

Height=B



Measuring-When installed in recess.

 All dimensions must be entered in millimeters(mm)



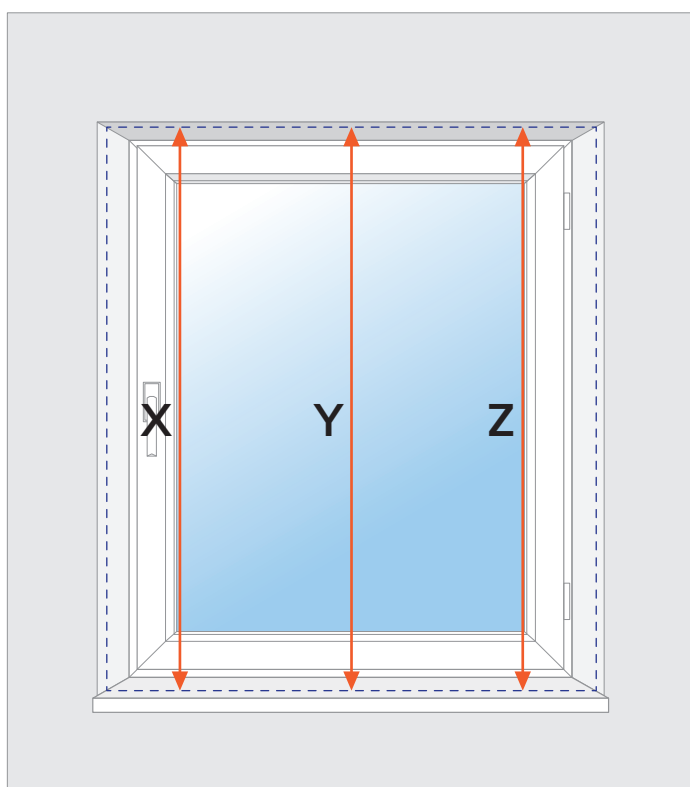
We advise to measure dimensions of the window recess at various heights in, at least 3 different places, in order to take most accurate measurements.

Enter desired width in configurator. Enter the average of your 3 measurements and subtract 2mm:

$$\text{Width} = \min(A, B, C) - 2\text{mm}$$

Example:

$$\min(700, 702, 701) - 2 = 701 - 2 = 699 \text{ mm}$$




Enter desired height in configurator. Enter average of your measurements and subtract 2mm.

$$\text{Height} = \min(X, Y, Z) - 2\text{mm}$$

Example:

$$\min(1400, 1402, 1401) - 2 = 1401 - 2 = 1399 \text{ mm}$$

Measuring- When installed on the wall.

 All dimensions must be entered in millimeters (mm)

We advise to measure dimensions of the window recess at various heights in at least 3 different places, in order to take most accurate measurements.

Enter desired width in configurator. Enter the biggest dimension out of all 3 measurements.

Width = max(A, B, C)

Example:

$\max(701, 700, 702) = 702 \text{ mm}$

You can select greater width if you willing to cover bigger surface.

Selecting desired height in configurator enter the greatest of your measurements and add 30mm to allow for equipment. Also allow 25 mm for each meter of your blind height

Height =

$\max(A, B, C) + 30 + 0,025 * \max(A, B, C)$

Example:

$\max(1401, 1400, 1402) = 1402$

$1402 + 30 + 0,025 * 1402 = 1432 + 30 = 1467 \text{ mm}$

