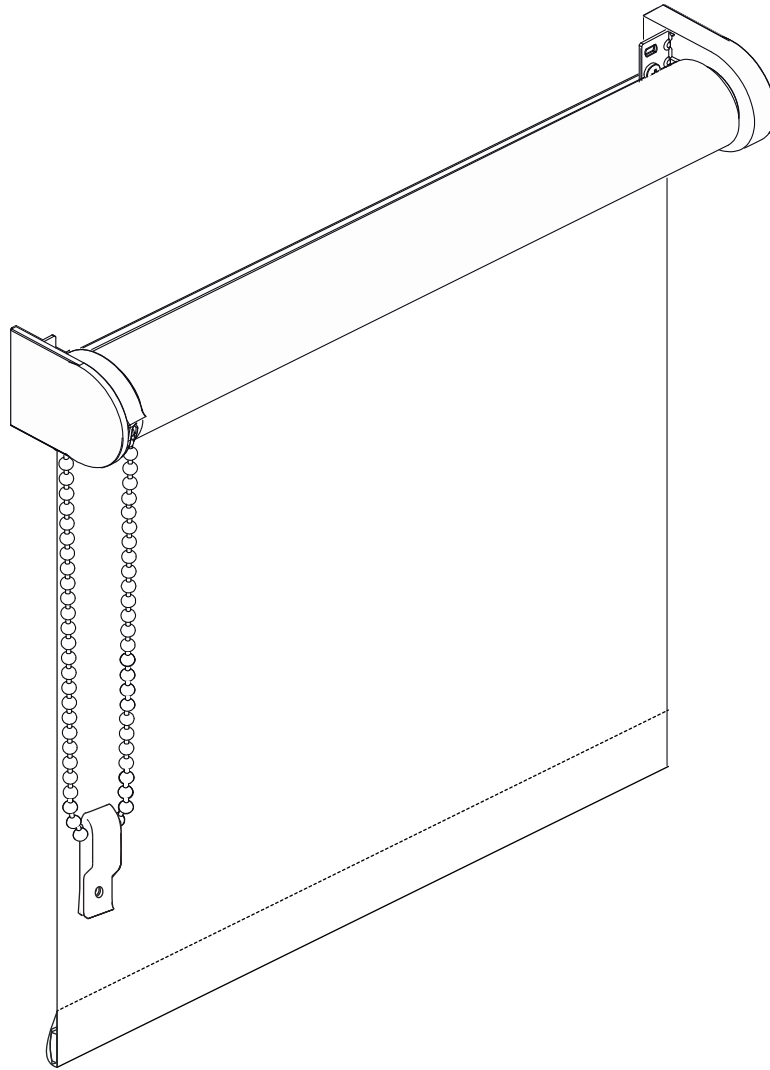
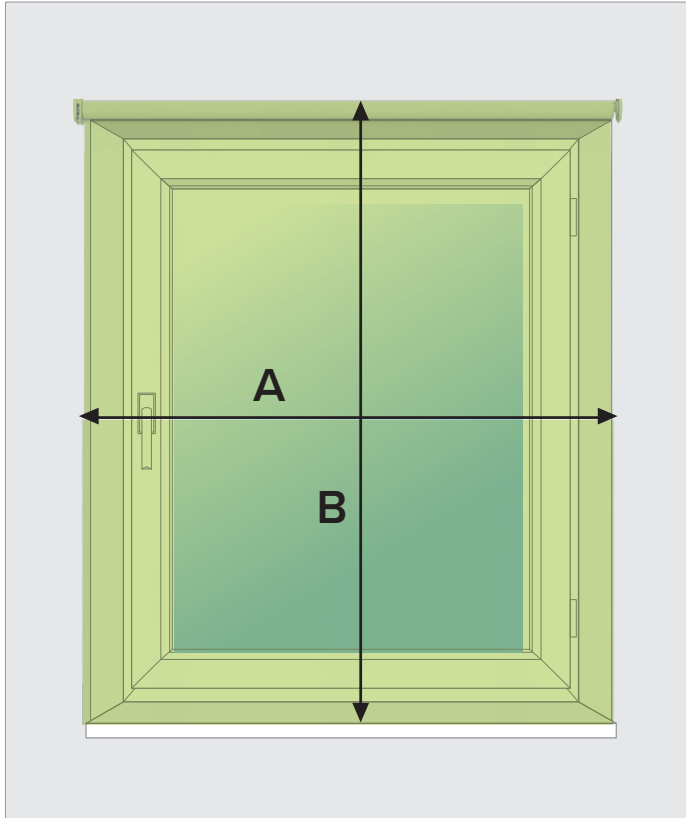


Measurement instructions for roller blinds



**Installation to a wall, ceiling
or window recess**



Installation to a wall



All dimensions must be entered in millimeters (mm)

Enter the **width** of the area you want to cover.

Enter the measurement in the configurator:

width = A

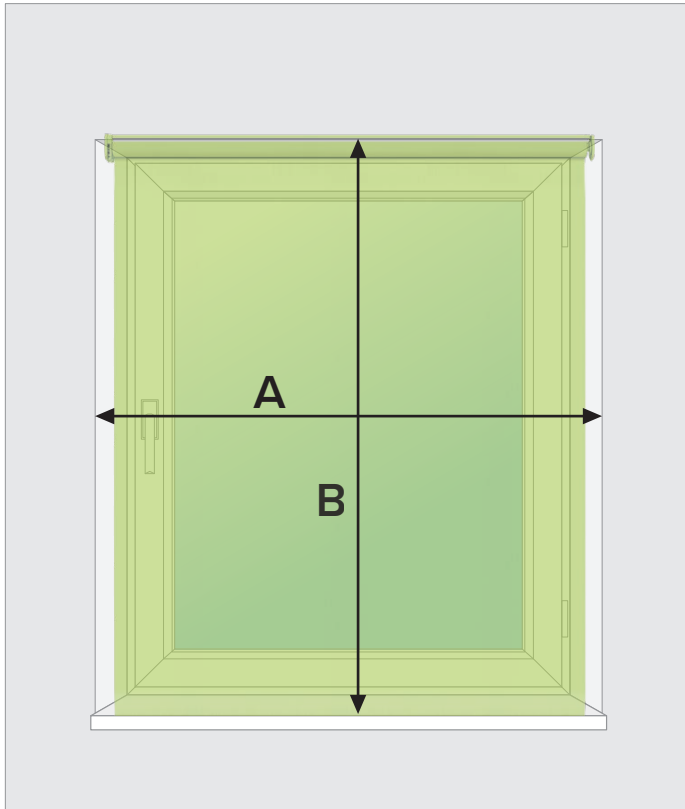
Note: Mounting brackets extend beyond the material by approximately **22 mm** on either side.

Enter the **hight** of the area you want to cover.

Enter the measurement in the configurator:

hight = B

Note: If you want to cover a larger area, you can give values greater than the measurements.



Mounting in the window recess



All dimensions must be entered in millimeters (mm)

Measure the **width** of the window recess.

Enter the measurement in the configurator:

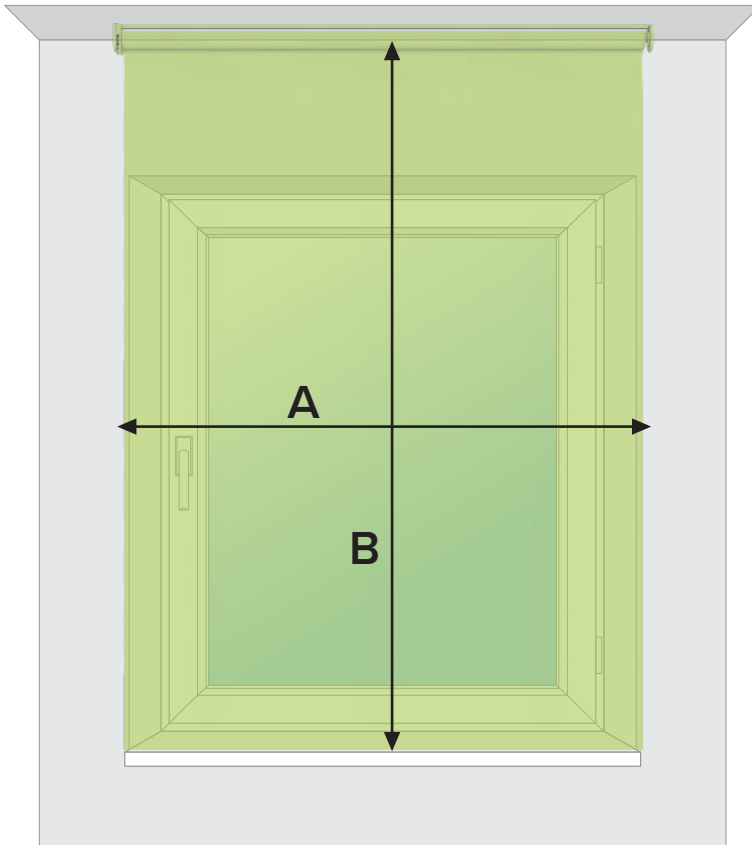
width = A

Note: Mounting brackets extend beyond the material, which means that the material will be narrower from the recess by about **22 mm** from either side.

Measure the **height** of the window recess

Enter the measurement value in the configurator:

height = B



Mounting into the ceiling

 All dimensions must be entered in millimeters (mm)

Enter the **hight** of the area you want to cover.

Enter the measurement in the configurator:

hight = A

Note: Mounting brackets extend beyond the material by approximately **22 mm** on either side.

Measure the **height** from the ceiling to the window sill.

Enter the measurement value in the configurator:

height = B

Note: If you want to cover a larger area, you can give values greater than the measurements.